

since 1954



HYDRAULIC OIL COOLER

www.gtradyator.com.tr

M SERIES

BÜYÜK GÜLTEKİNLER
OTO RADYATÖR SAN. ve TİC. LTD. ŞTİ.



M SERIES



1. AC-DC MOTOR OIL COOLERS

GENERAL INFORMATION

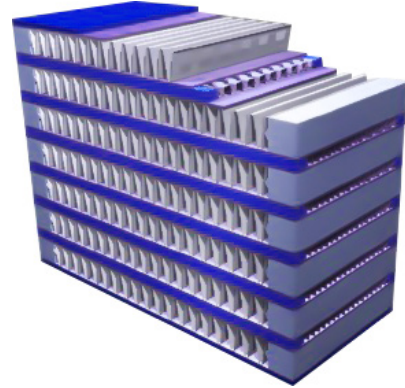
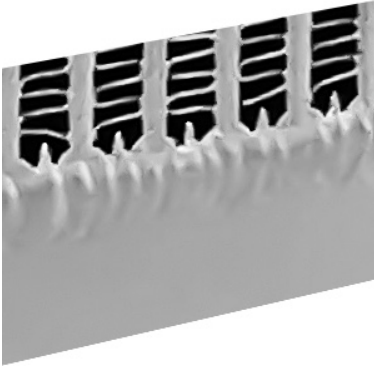
M Series is our product line used in all industrial systems.

The hydraulic cooling products we offer are manufactured in accordance with high quality standards. From material supply to production and post-production quality control processes, every stage is under strict control and surveillance.

Ürünlerimiz;

- *Mobile systems,*
- *Fixed unit applications,*

Our products are complete cooling systems for AC-DC applications.



PROPERTIES

- Test Pressure: 30 bar.
- Operating Pressure: 25 bar.
- Used for cooling Synthetic, Mineral Oils, and some liquids.
- Heat in the fluid is cooled through the help of a fan.
- Bar-Plate type cooling pad is used.
- Flexible 6063 aluminum material is used.
- Designed for all kinds of working conditions.
- Ready to use and easy to maintain.
- Has high efficiency and low cost.

CAPACITY PROPERTIES

2.



Product Models	Max. Flowrate (Lt/min.)	Capacity (Kcal / h)
M1	20	1000
M2	50	2500
M3	75	5000
M4	75	5000
M5	100	6000
M6	120	12000
M7	150	22500
M8	200	50000
M9	250	55000
M10	300	60000
M11	400	70000

3. TECHNICAL DATA

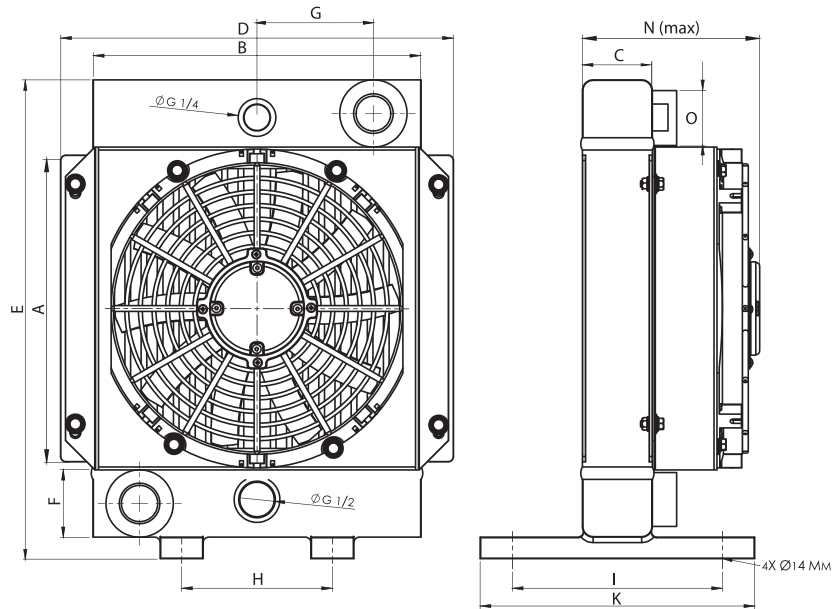
Model Data	Fan Diameter	Fan Speed	dB(A) 1m	Voltage (V)	kW	Operating Pressure (Bar)
M1	165 - 165 - 175	1500 - 1500 - 2800	79 - 79 - 85	12 - 24 - 230 - 400	0.08 - 0.08 - 0.05	25
M2	250 - 250 - 250	1500 - 1500 - 2800	75 - 74 - 80	12 - 24 - 230 - 400	0.15 - 0.15 - 0.25	25
M3	350 - 350 - 350	1500 - 1500 - 2800	76 - 75 - 79	12 - 24 - 230 - 400	0.20 - 0.25 - 0.35	25
M4	350 - 350 - 350	1500 - 1500 - 2800	76 - 75 - 79	12 - 24 - 230 - 400	0.20 - 0.25 - 0.35	25
M5	8"x2 - 8"x2 - 200x2	1500 - 1500 - 2800	78 - 79 - 76	12 - 24 - 230 - 400	0.10 - 0.10 - 0.09	25
M6	10"x2 - 10"x2 - 250x2	1500 - 1500 - 2800	75 - 74 - 80	12 - 24 - 230 - 400	0.15 - 0.15 - 0.25	25
M7	14"x2 - 14"x2 - 500	1500 - 1500 - 1300	80 - 80 - 72	12 - 24 - 230 - 400	0.25 - 0.35 - 0.37	25
M8	630	1500	90	230 - 400	2.2	25
M9	900	1000	89	230 - 400	2.2	15
M10	900	1000	88	230 - 400	3.0	15
M11	1000	1000	90	400	7.5	15

4. DIMENSIONS

Dimensions	M1	M2	M3	M4	M5	M6	M7	M8	M9	M10	M11
A	200	300	400	400	550	650	790	800	1025	1025	1170
B	195	305	395	395	410	560	560	650	010	910	1200
C	63	63	63	94	94 (63)	94	94	140	94	113	140
D	254	360	452	452	467	612	613	723	992	992	1270
E	315	415	515	535	690	790	940	960	1350	1350	1520
F	45	45	45	63	63	63	70	70	75	75	70
G	65	115	160	160	165	235	235	280	390	390	532
H	80	150	200	200	200	310	310	400	440	440	525
I	140	190	190	240	240	240	240	240	215	215	200
K	200	250	250	300	300	300	300	300	580	580	750
L	-	-	-	-	-	-	-	-	-	-	-
M	-	-	-	-	-	-	-	-	-	-	-
N(max)	175	370	400	430	440	450	450	590 app	650 app	790 app	900 app
O	1" BSP	1" BSP	1" BSP	1 1/4" BSP	1 1/4" BSP (1" BSP)	1 1/4" BSP	1 1/4" BSP	1 1/2" BSP	-	-	-

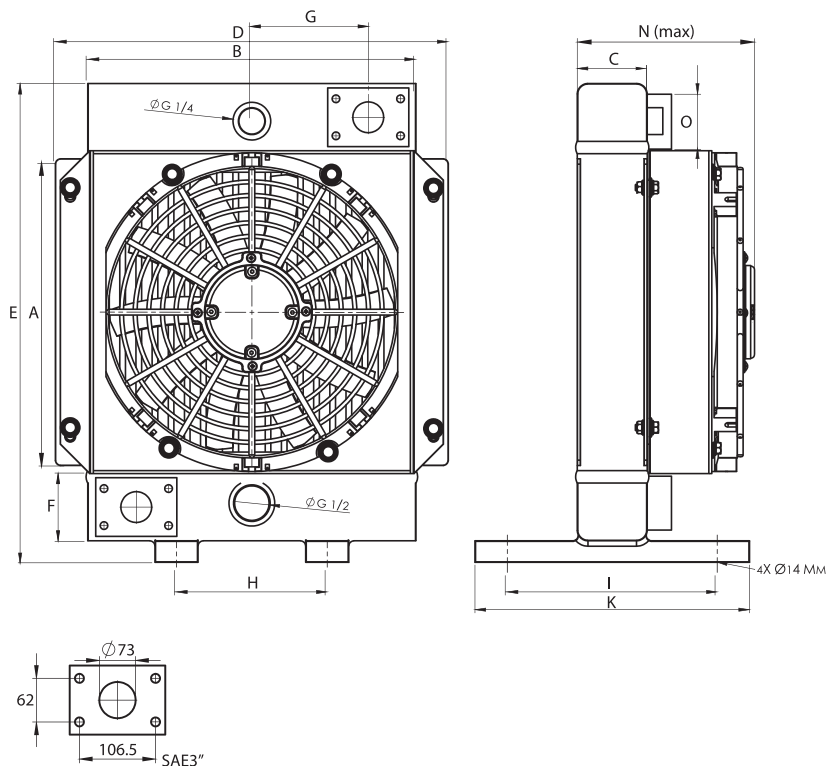
DIMENSIONS OF THE COOLERS BETWEEN M1 - M7

5.



DIMENSIONS OF THE COOLERS BETWEEN M8 - M11

6.





GRAFİK

CORPORATE PROFILE

Our company which was established in 1954 with the title of **BÜYÜK GÜLTEKİNLER OTO RADIATÖR SAN. ve TİC. LTD. ŞTİ.** and registered its trademark **GT RADIATÖR** in 2000.

After gaining experience in heating and cooling systems, we developed oil coolers through an **innovative** approach so that hot and cold fluids come into contact with a wider surface, then presented them to our country and world market.

Considering the relationship between **environment and people**, we improve our product quality and thus customer satisfaction by giving importance to **R&D**. We make a difference in our sector by certifying the corporate approach of our company and our high-quality products according to international standards.

MAIN OFFICE
Karatay Sanayi Gültepe Sokak No: 54
42285 Selçuklu / KONYA / TÜRKİYE
Tel: +90 332 233 08 92 (pbx)

FACTORY
F. Çakmak Mah. Aslım Cad. Teksan San. Sit. No: 71
42050 Karatay / KONYA / TÜRKİYE
Tel : +90 332 233 08 95 (pbx)
Mail : info@gtradyator.com.tr
Web : www.gtradyator.com.tr



www.gtradyator.com.tr

