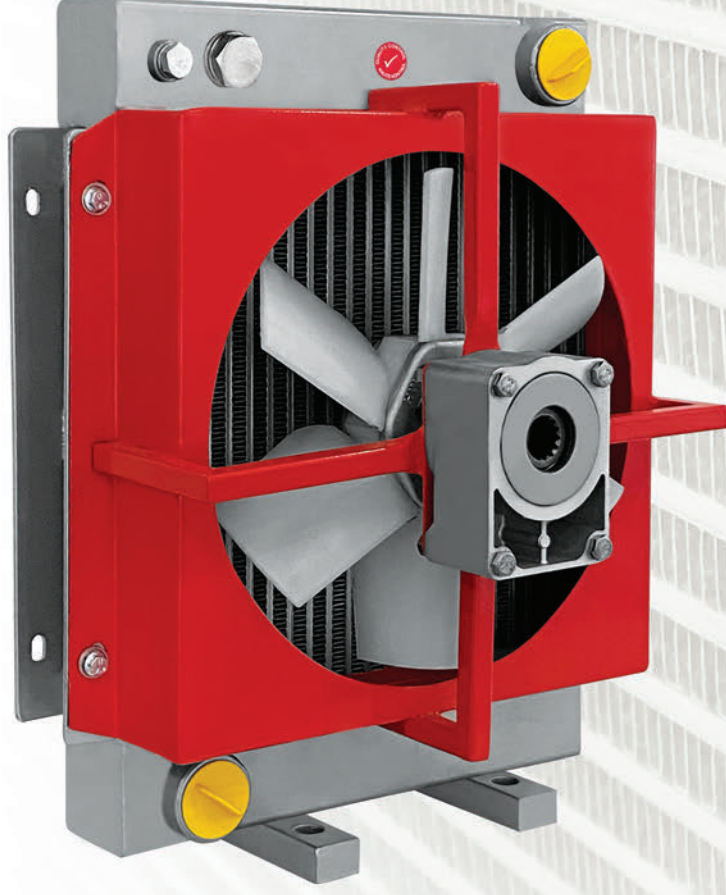


since 1954



HYDRAULIC OIL COOLER

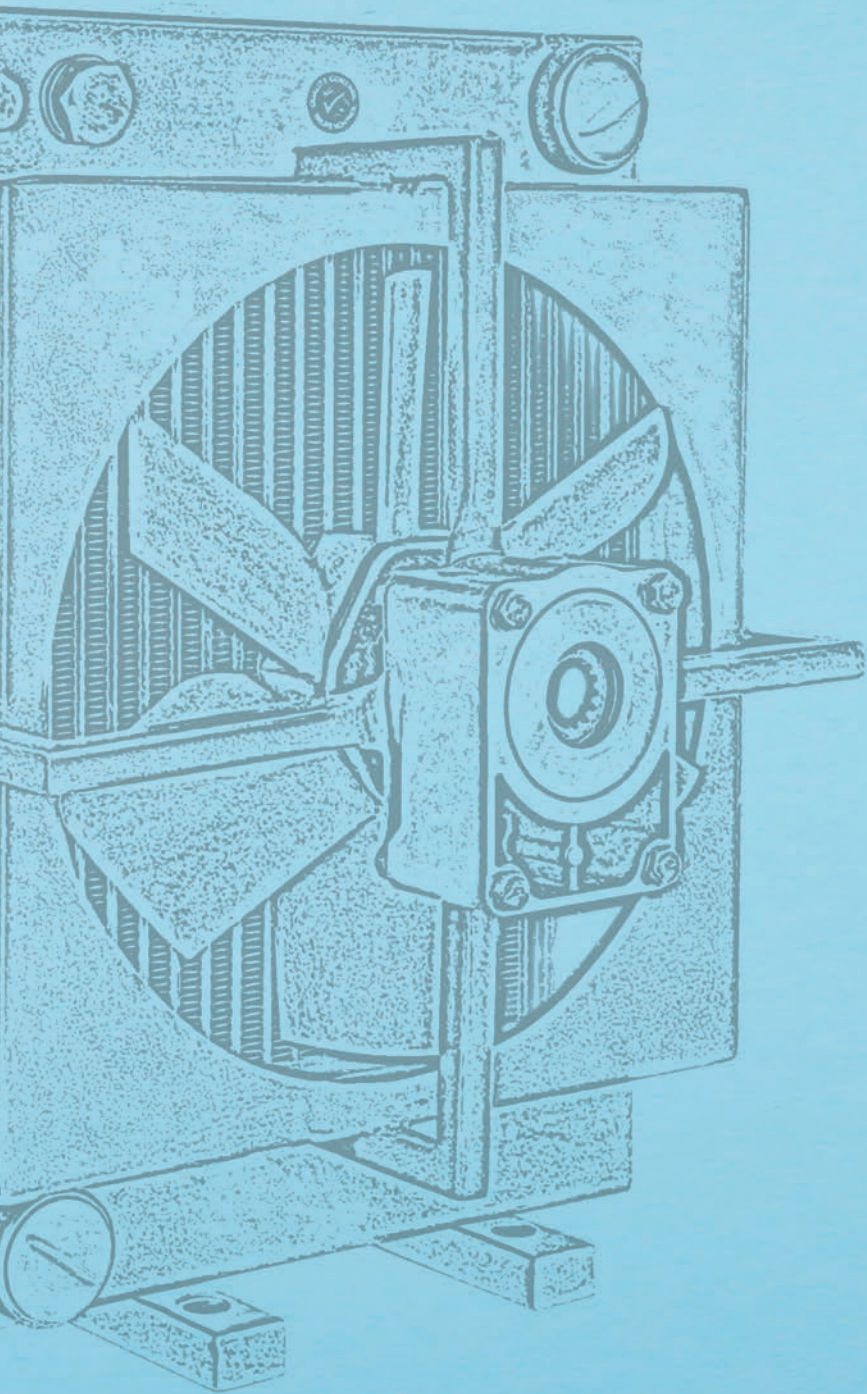
www.gtradyator.com.tr

H SERIES

BÜYÜK GÜLTEKİNLER
OTO RADYATÖR SAN. ve TİC. LTD. ŞTİ.



H SERIES



1. HYDROMOTOR DRIVEN OIL COOLERS

GENERAL INFORMATION

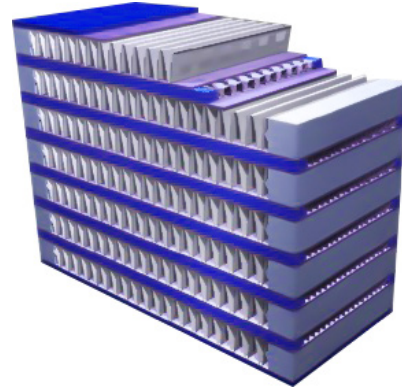
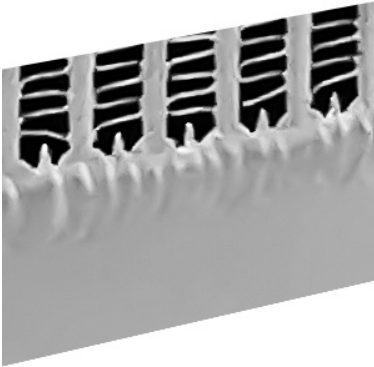
H Series is our product line used in all industrial systems.

The hydraulic cooling products we offer are manufactured in accordance with high quality standards. From material supply to production and post-production quality control processes, every stage is under strict control and surveillance.

Ürünlerimiz;

- *Mobile systems,*
- *Fixed unit applications,*

Our products are complete cooling systems for AC-DC applications.

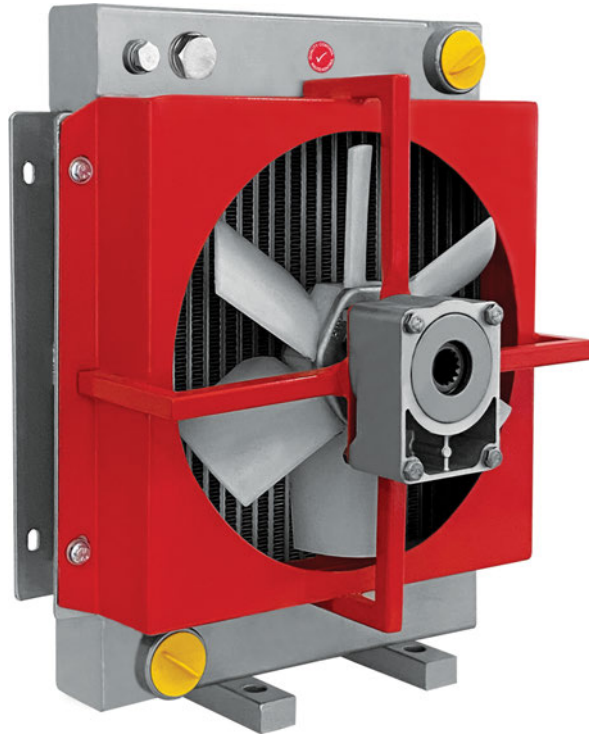


PROPERTIES

- Test Pressure: 30 bar.
- Operating Pressure: 25 bar.
- Used for cooling Synthetic, Mineral Oils, and some liquids.
- Heat in the fluid is cooled through the help of a fan.
- Bar-Plate type cooling pad is used.
- Flexible 6063 aluminum material is used.
- Designed for all kinds of working conditions.
- Ready to use and easy to maintain.
- Has high efficiency and low cost.

CAPACITY PROPERTIES

2.



Product Models	Max. Flowrate (Lt/min.)	Capacity (Kcal / h)
H1	20	1000
H2	50	2500
H3	75	5000
H4	75	5000
H5	100	6000
H6	120	12000
H7	150	22500
H8	200	50000
H9	250	55000
H10	300	60000
H11	400	70000

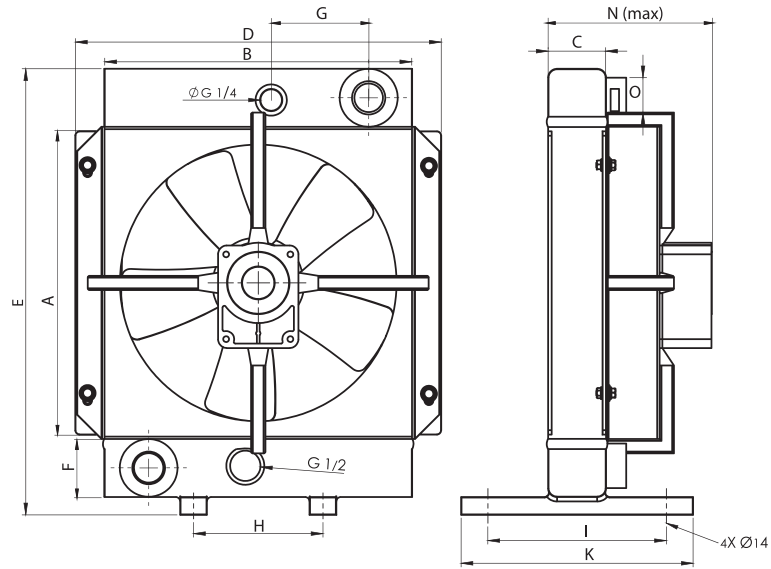
3. TECHNICAL DATA

Model Data	Fan Diameter	Fan Speed	dB(A) 1m	Voltage (V)	kW	Operating Pressure (Bar)
H1	-	-	-	-	-	-
H2	250	1500	57	Hydraulic	-	25
H3	380	1500	75	Hydraulic	-	25
H4	380	1500	77	Hydraulic	-	25
H5	450	1500	77	Hydraulic	-	25
H6	500	1500	79	Hydraulic	-	25
H7	500	1500	79	Hydraulic	-	25
H8	630	1000	79	Hydraulic	-	25
H9	900	1000	88	Hydraulic	-	15
H10	900	1500	98	Hydraulic	-	15
H11	1000	1500	100	Hydraulic	-	15

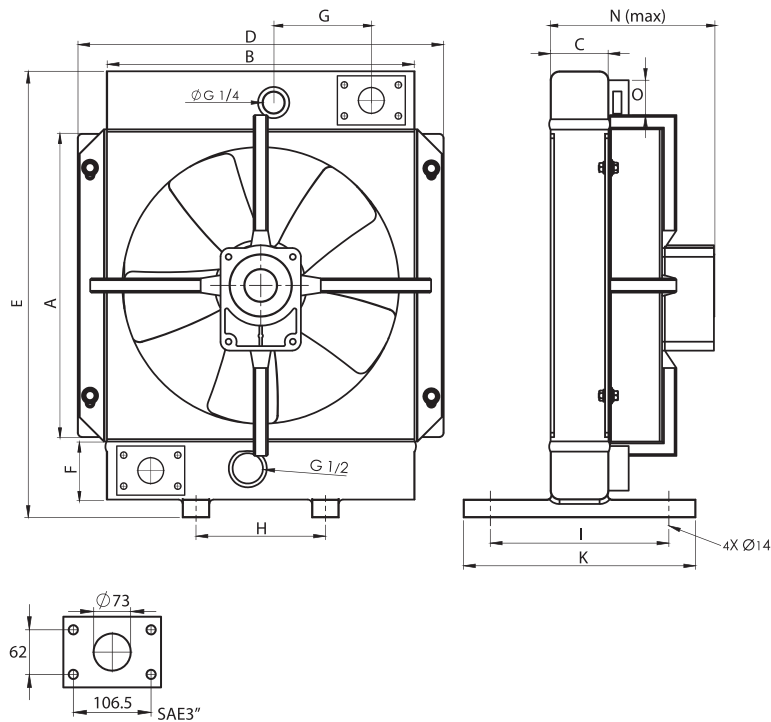
4. DIMENSIONS

Dimensions	H1	H2	H3	H4	H5	H6	H7	H8	H9	H10	H11
A	200	300	400	400	550	650	790	800	1025	1025	1170
B	195	305	395	395	410	560	560	650	010	910	1200
C	63	63	63	94	94 (63)	94	94	140	94	113	140
D	254	360	452	452	467	612	613	723	992	992	1270
E	315	415	515	535	690	790	940	960	1350	1350	1520
F	45	45	45	63	63	63	70	70	75	75	70
G	65	115	160	160	165	235	235	280	390	390	532
H	80	150	200	200	200	310	310	400	440	440	525
I	140	190	190	240	240	240	240	240	215	215	200
K	200	250	250	300	300	300	300	300	580	580	750
L	-	-	-	-	-	-	-	-	-	-	-
M	-	-	-	-	-	-	-	-	-	-	-
N(max)	175	370	400	430	440	450	450	590 app	650 app	790 app	900 app
O	1" BSP	1" BSP	1" BSP	1 1/4" BSP	1 1/4" BSP (1" BSP)	1 1/4" BSP	1 1/4" BSP	1 1/2" BSP	-	-	-

DIMENSIONS OF THE COOLERS BETWEEN H1 - H7 5.



DIMENSIONS OF THE COOLERS BETWEEN H8 - H11 6.





GRAFİK

CORPORATE PROFILE

Our company which was established in 1954 with the title of **BÜYÜK GÜLTEKİNLER OTO RADIATÖR SAN. ve TİC. LTD. ŞTİ.** and registered its trademark **GT RADIATÖR** in 2000.

After gaining experience in heating and cooling systems, we developed oil coolers through an **innovative** approach so that hot and cold fluids come into contact with a wider surface, then presented them to our country and world market.

Considering the relationship between **environment and people**, we improve our product quality and thus customer satisfaction by giving importance to **R&D**. We make a difference in our sector by certifying the corporate approach of our company and our high-quality products according to international standards.

MAIN OFFICE
Karatay Sanayi Gültepe Sokak No: 54
42285 Selçuklu / KONYA / TÜRKİYE
Tel: +90 332 233 08 92 (pbx)

FACTORY
F. Çakmak Mah. Aslım Cad. Teksan San. Sit. No: 71
42050 Karatay / KONYA / TÜRKİYE
Tel : +90 332 233 08 95 (pbx)
Mail : info@gtradyator.com.tr
Web : www.gtradyator.com.tr



www.gtradyator.com.tr

